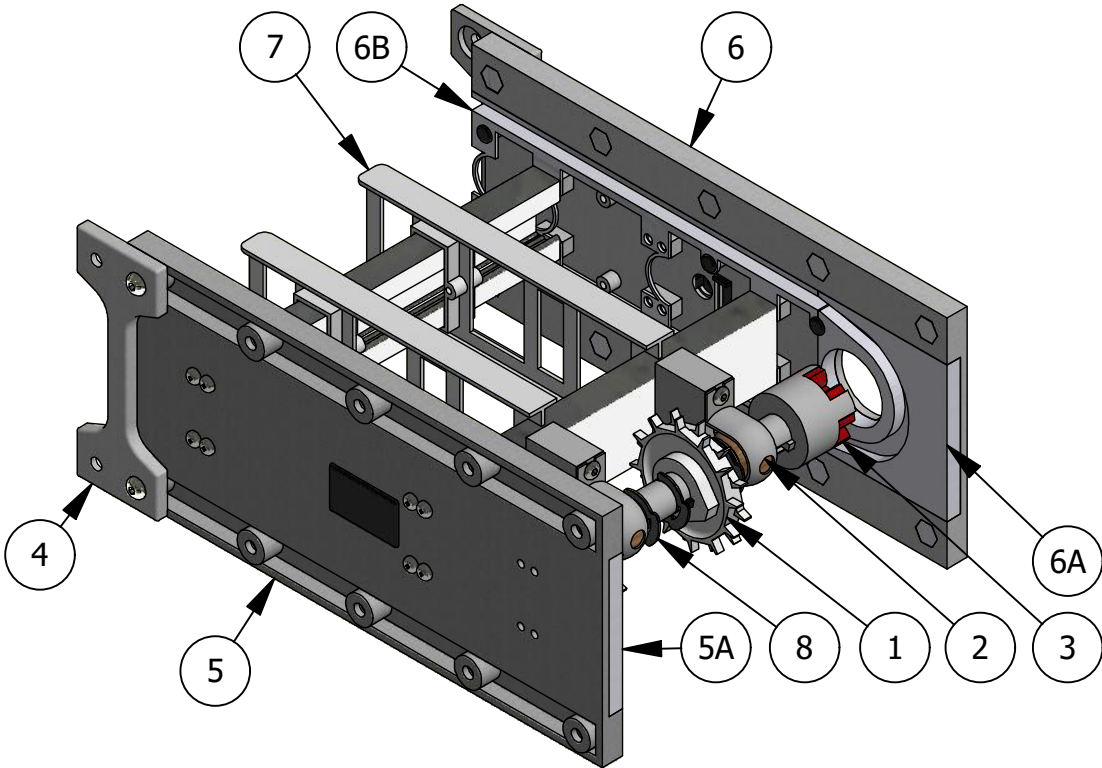


# DynaCon Radius Turn Drive Module

## Standard Profile



ITEM	PART NUMBER	DESCRIPTION
1	GPA192	Radius Turn Drive Sprocket
2	GPA211	Bearing-Wood 1" Bore
3	GPA283	Spider
4	REP930	Doubling Link
5	SUR952-E	Drive Side Wall Assembly
5A	PLR955	Belt End Path
6	SUR952-EE	Drive Side Wall Assembly - Motor Side
6A	PLR955-D	Radius Belt End Path - Motor Side
6B	PLD953-C	12 3/4" - Belt Path - Both Sides
7	PLC957	Belt Support 10.75" L
8	PLD711	E-Clip Black 1"