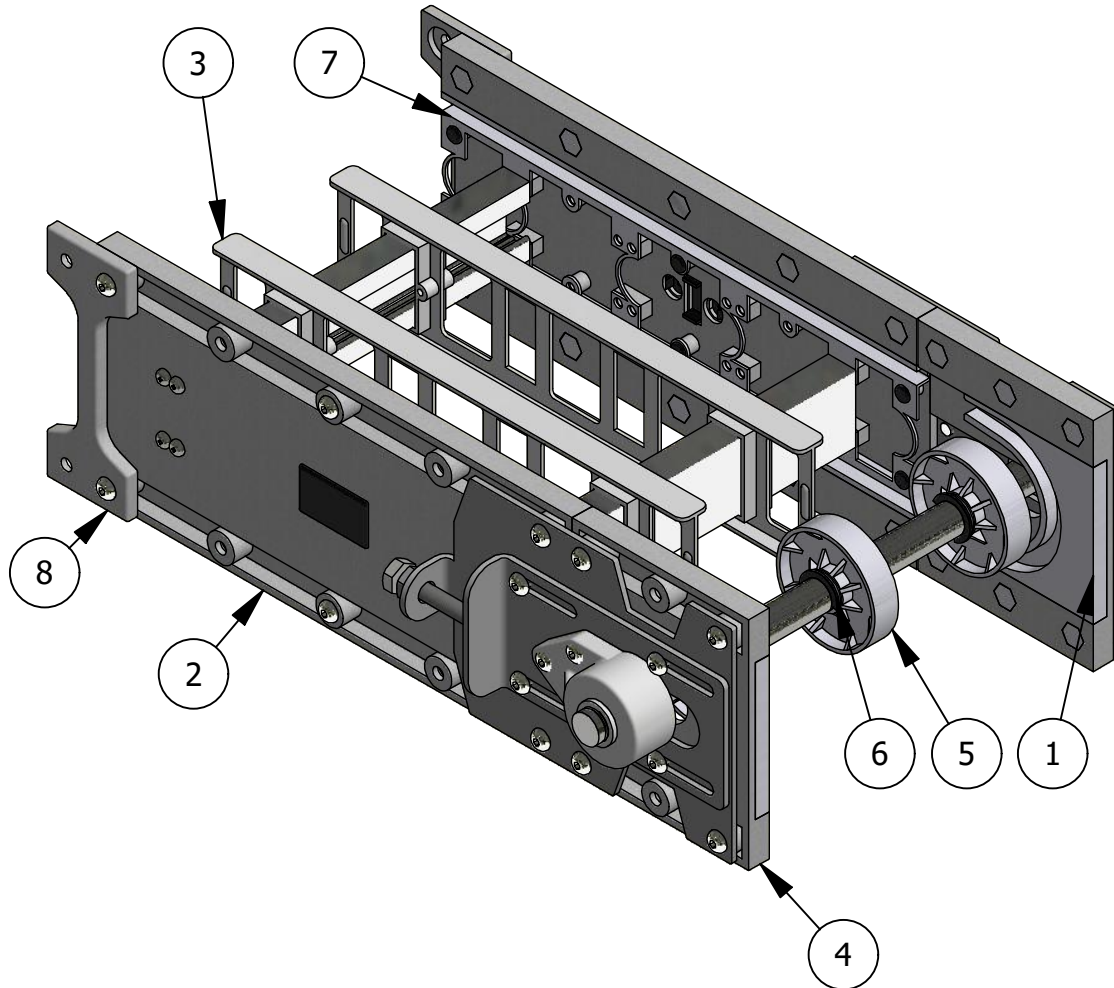


DynaCon Heavy Duty Feed Module

Standard Profile



ITEM	PART NUMBER	DESCRIPTION
1	KIT955-HDT	Heavy Duty Feed End Belt Path (Pair)
2	REP952	Side Wall Assembly
3	PLC954	17 1/2" Belt Support
4	SUA956-THD	Heavy Duty End Side Wall
5	PLD703	Idler Wheel
6	PLD711	E-Clip Black 1"
7	PLD953	17 1/2" Belt Path - Both Sides
8	REP930	Doubling Link