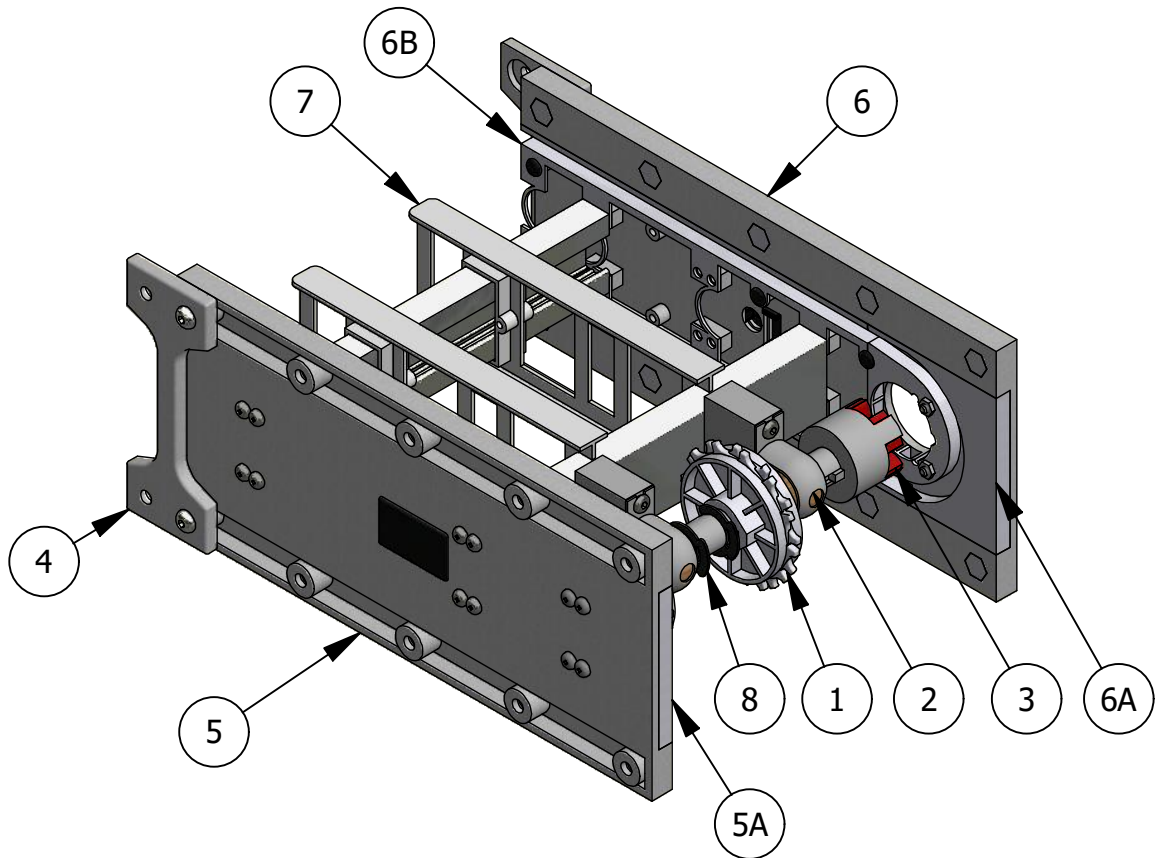


DynaCon Drive Module

Standard Profile



ITEM	PART NUMBER	DESCRIPTION
1	GPA191	Sprocket-Drive 1" Bore
2	GPA211	Bearing-Wood 1" Bore
3	GPA283	Spider
4	REP930	Doubling Link
5	SUI952-E	Drive Side Wall Assembly
5A	PLD955	Belt End Path
6	SUI952-EE	Drive Side Wall Assembly - Motor Side
6A	PLD955-D	Belt End Path - Motor Side
6B	PLD953-C	12 3/4" Belt Path - Both Sides
7	PLC957	Belt Support 10.75" L
8	PLD711	E-Clip Black 1"