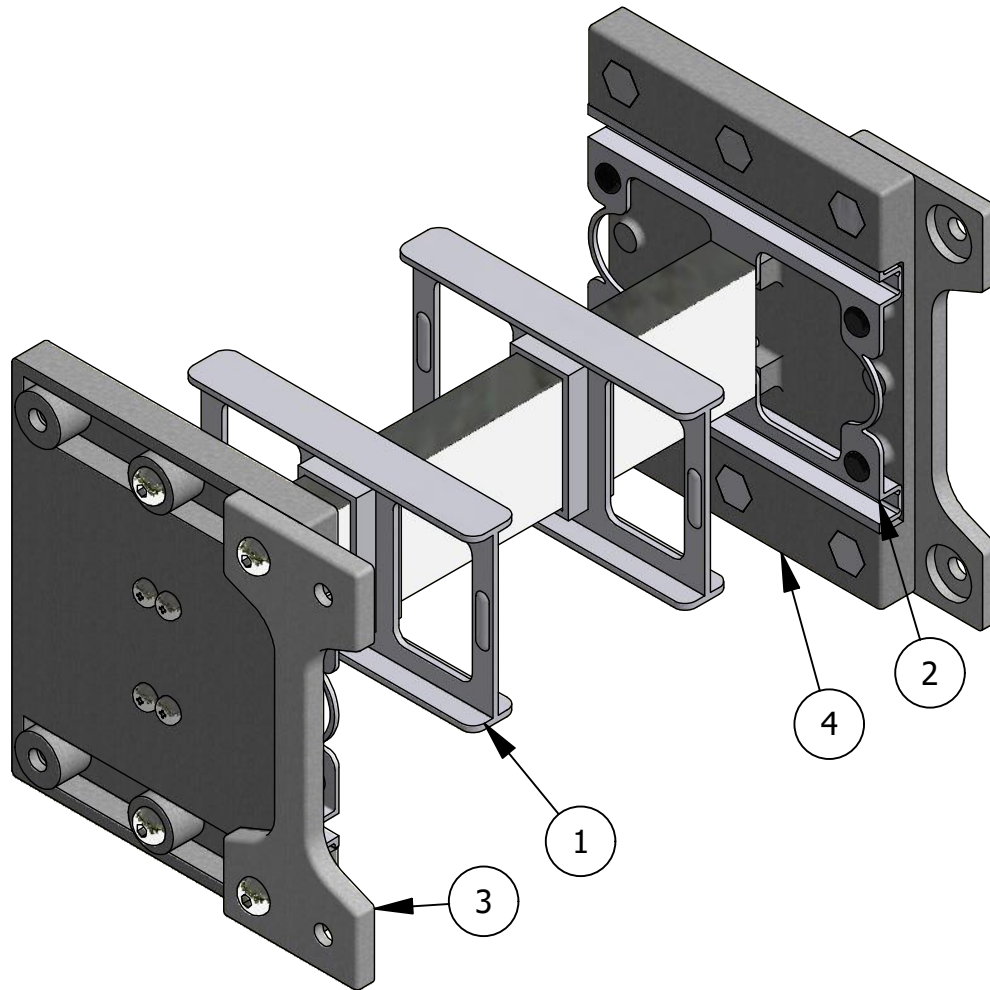


DynaCon 6-1/2" Straight Connector

Standard Profile



| ITEM | PART NUMBER | DESCRIPTION |
|------|-------------|-------------------------|
| 1 | PLC962 | 6.5" Belt Support |
| 2 | PLD961 | 6.5" Belt Path |
| 3 | REP930 | Doubling Link |
| 4 | REP960 | 6.5" Side Wall Assembly |