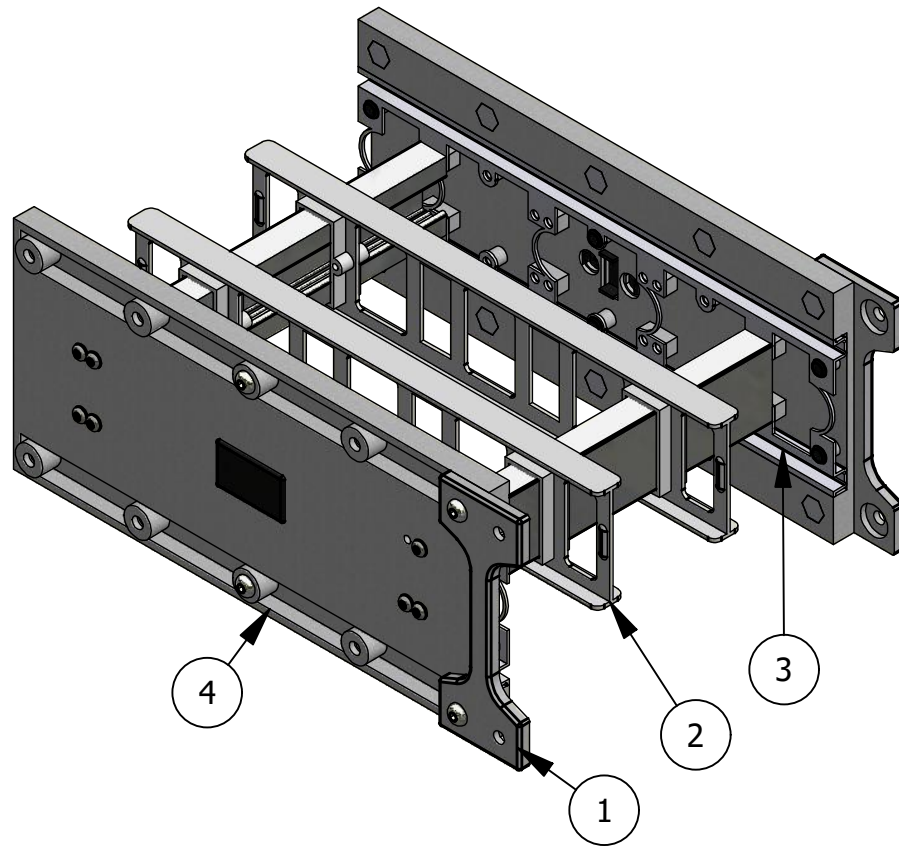


DynaCon 17.5" Straight Connector

Standard Profile



ITEM	PART NUMBER	DESCRIPTION
1	REP930	Doubling Link
2	PLC954	17 1/2" Belt Support
3	PLD953	Belt Path - 17 1/2"
4	REP952	Side Wall Assembly - 17 1/2"