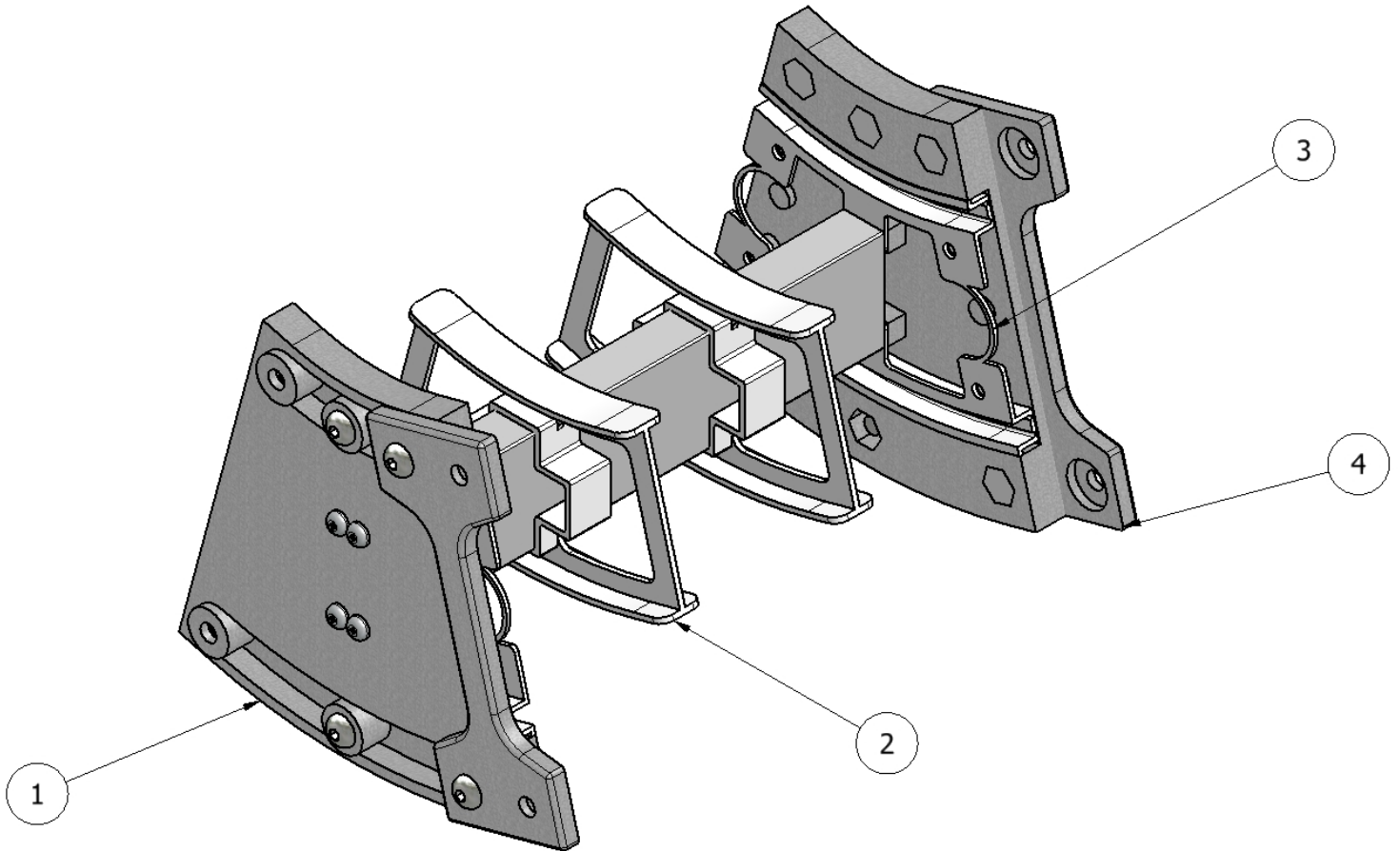


# DynaCon 30° Connector

## Standard Profile



- |            |                                   |
|------------|-----------------------------------|
| 1 - REP963 | 30° Connector Wall with Belt Path |
| 2 - PLC965 | 30° Connector Belt Support        |
| 3 - PLD964 | 30° Connector Belt Path           |
| 4 - REP930 | Doubling Link                     |