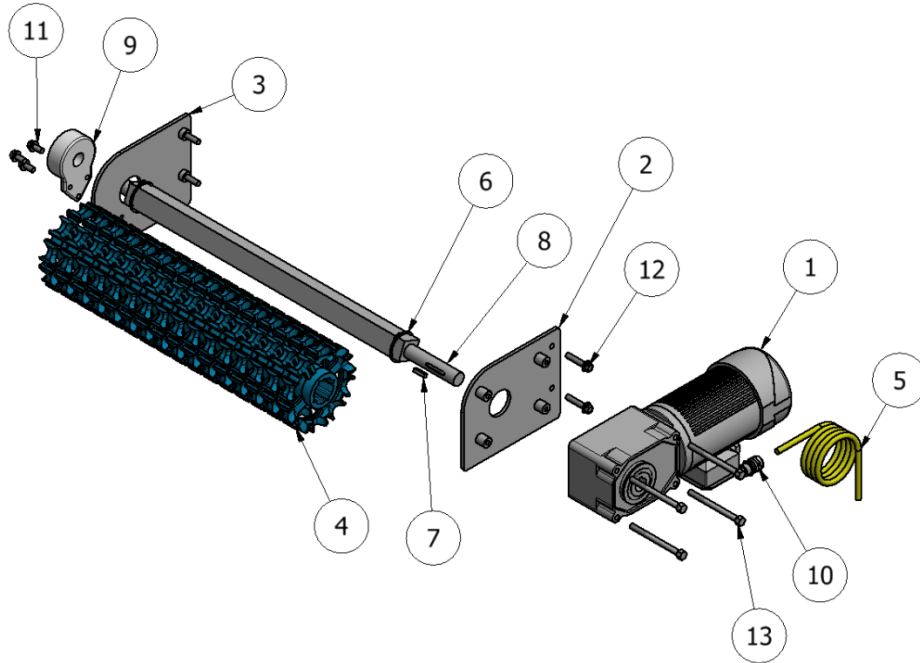


DynaClean External Drive

Replacement Parts



- 1 – Drive Motor
- 2 – Drive Plate
- 3 – Bearing Plate
- 4 – Drive Sprocket
- 5 – Motor Power Cord
- 6 – Bearing Plate
- 7 – Retaining Ring
- 8 – Drive Shaft
- 9 – Flange Bearing
- 10 – Strain Relief
- 11 – Bolt for Bearing
- 12 – Bolt for Plates
- 13 – Bolt for Motor