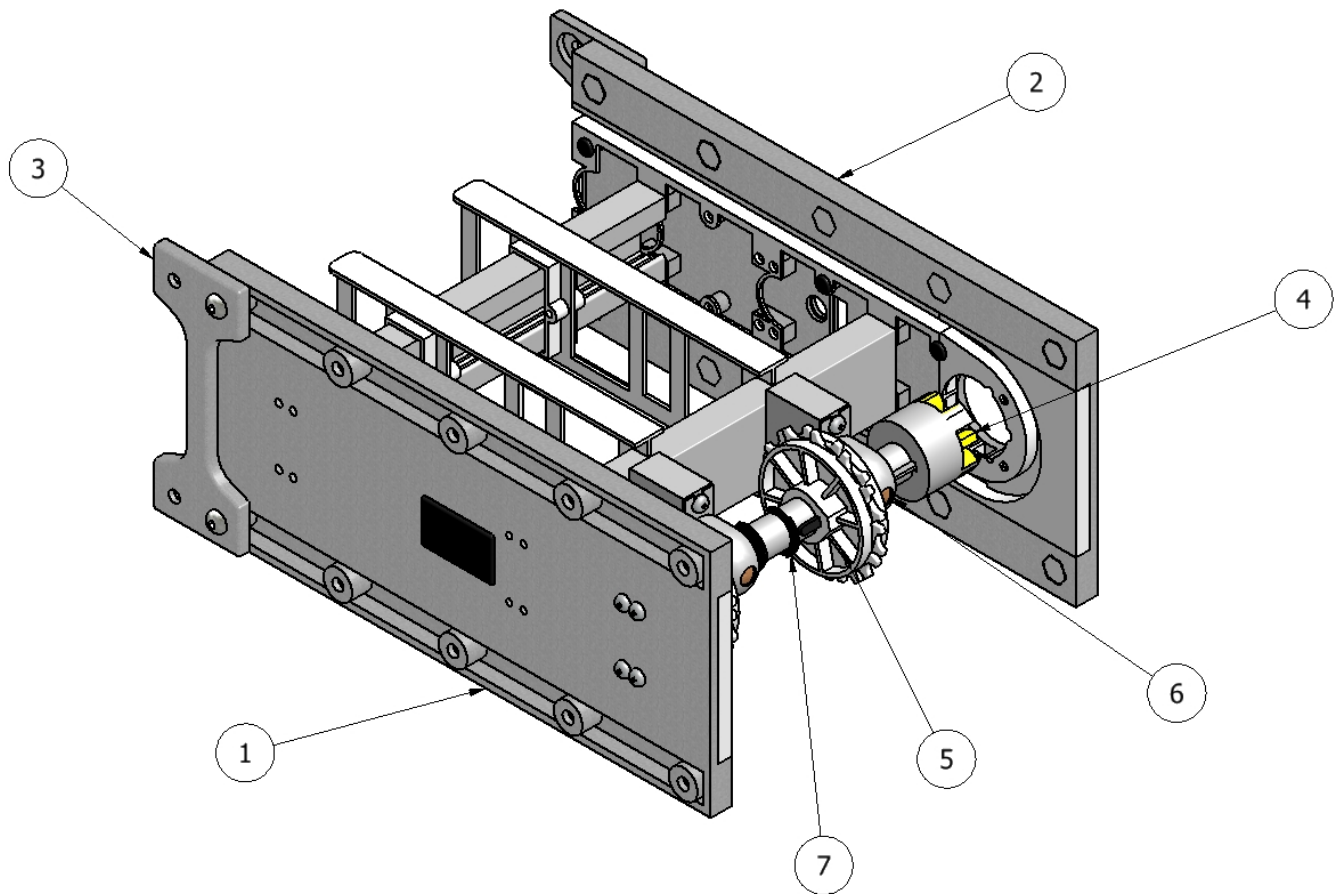


# DynaCon Drive Module

## Standard Profile



- |               |                             |
|---------------|-----------------------------|
| 1 - SUI952-E  | 17-1/2" Side-Drive End      |
| 2 - SUI952-EE | 17-1/2" Side-Drive External |
| 3 - REP930    | Doubling Link               |
| 4 - GPA200    | Spider                      |
| 5 - GPA191    | Drive Sprocket with 1" Bore |
| 6 - GPA211    | Wood Bearing                |
| 7 - PLD711    | E-Clip                      |