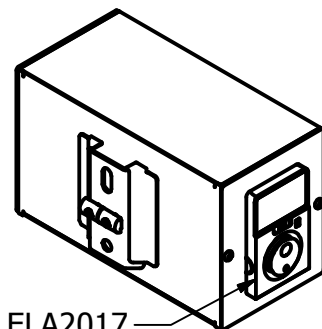
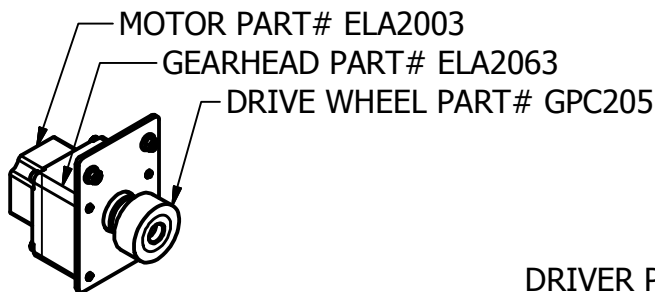
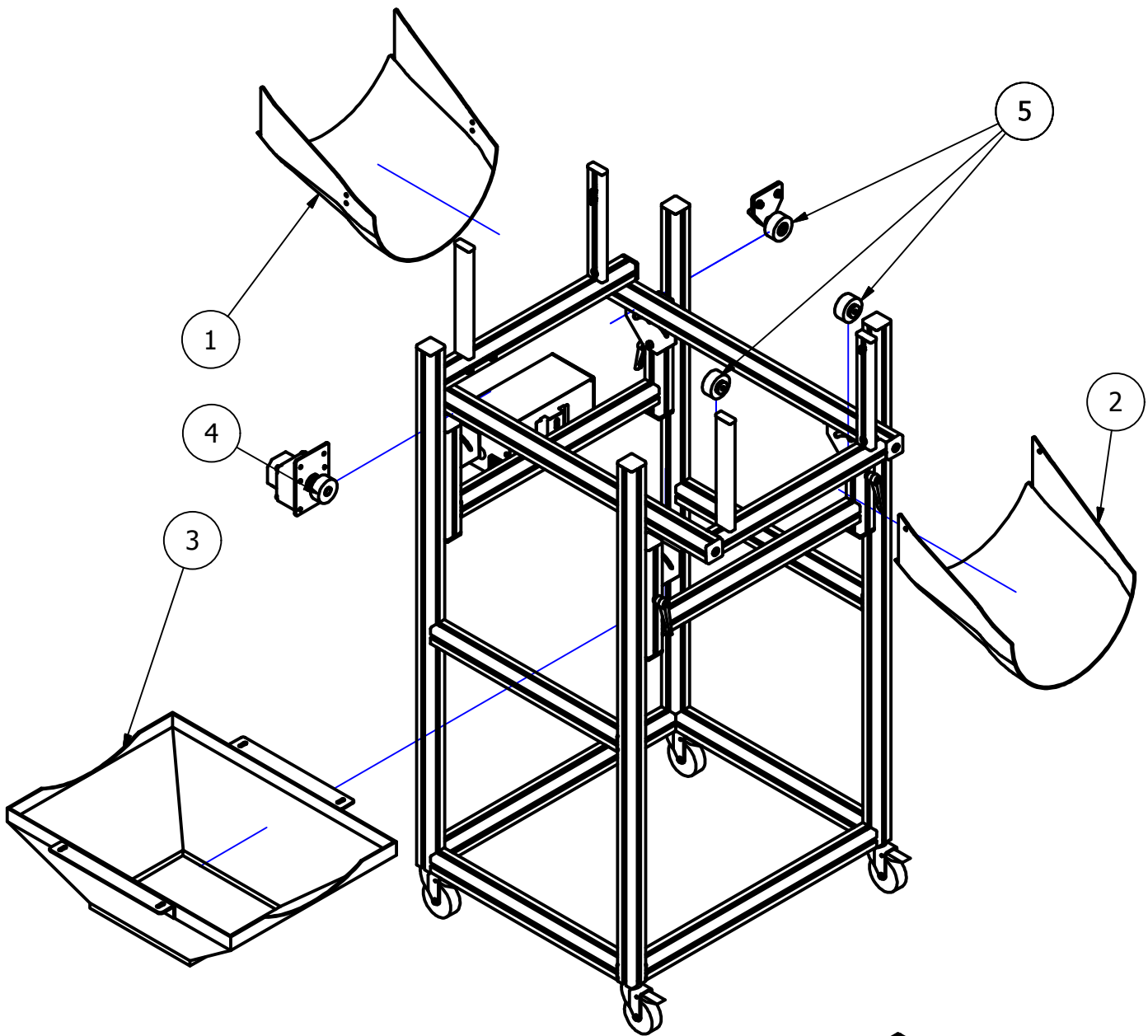
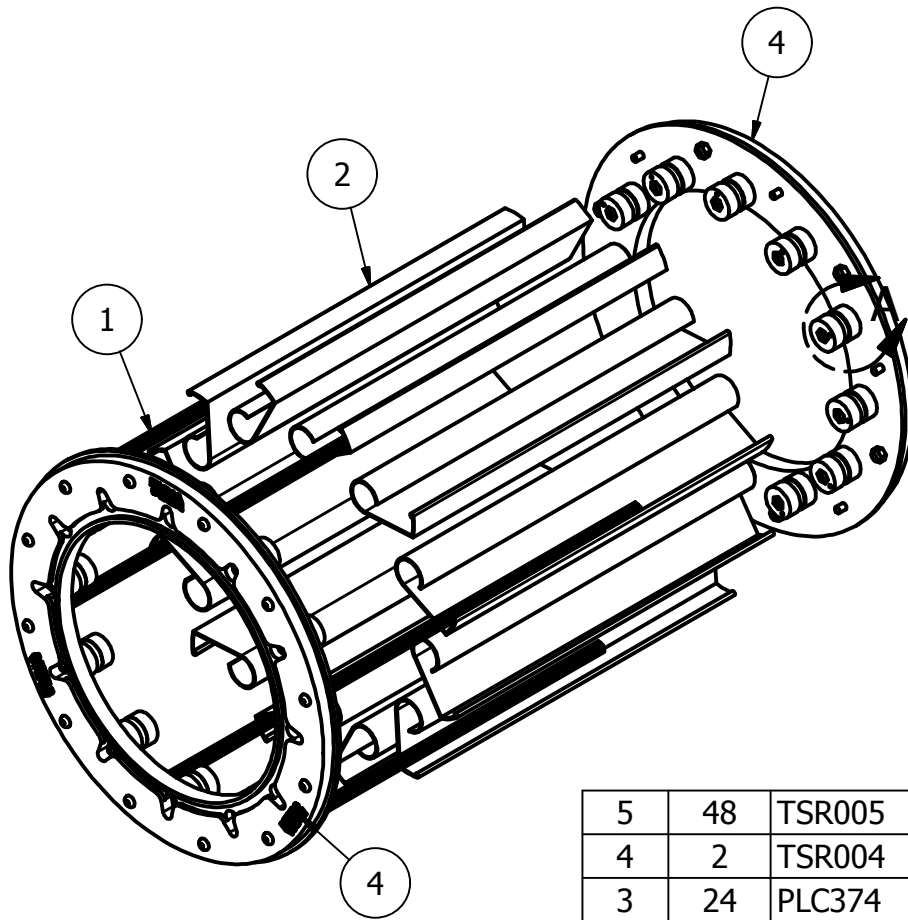


DYNACON TUMBLER SEPARATOR

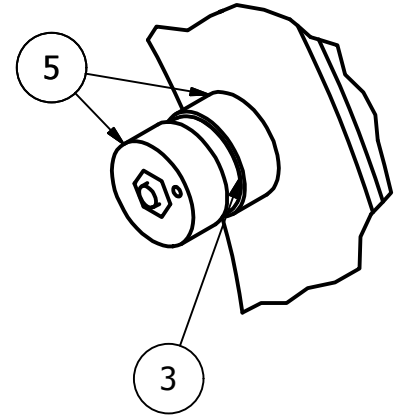


5	3	GPC218	IDLER WHEEL
4	1	GPC205	DRIVE WHEEL
3	1	GPC015	OUTPUT FUNNEL CHUTE
2	1	GPC014	OUTPUT CHUTE
1	1	GPC013	INPUT CHUTE
ITEM	QTY	PART NUMBER	DESCRIPTION

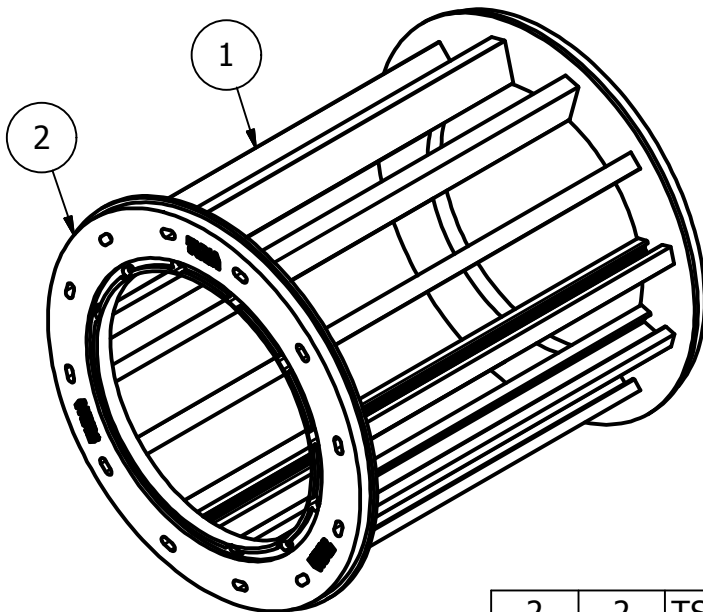
DYNACON TUMBLER SEPARATOR



DETAIL A



5	48	TSR005	Tumbler Ring Disc Insert
4	2	TSR004	Tumbler Ring - Fin Style
3	24	PLC374	Friction Disc
2	12	ALB508 TS24FC-1	Tumbler Aluminum Fin
1	6	ALA1000 TS24FC-1	Tumbler Hex Crossbar
ITEM	QTY	PART NUMBER	DESCRIPTION



2	2	TSR006	Tumbler Ring- Sleeve Style
1	12	ALB501 TS24VC-1	Aluminum Crossbar
ITEM	QTY	PART NUMBER	DESCRIPTION