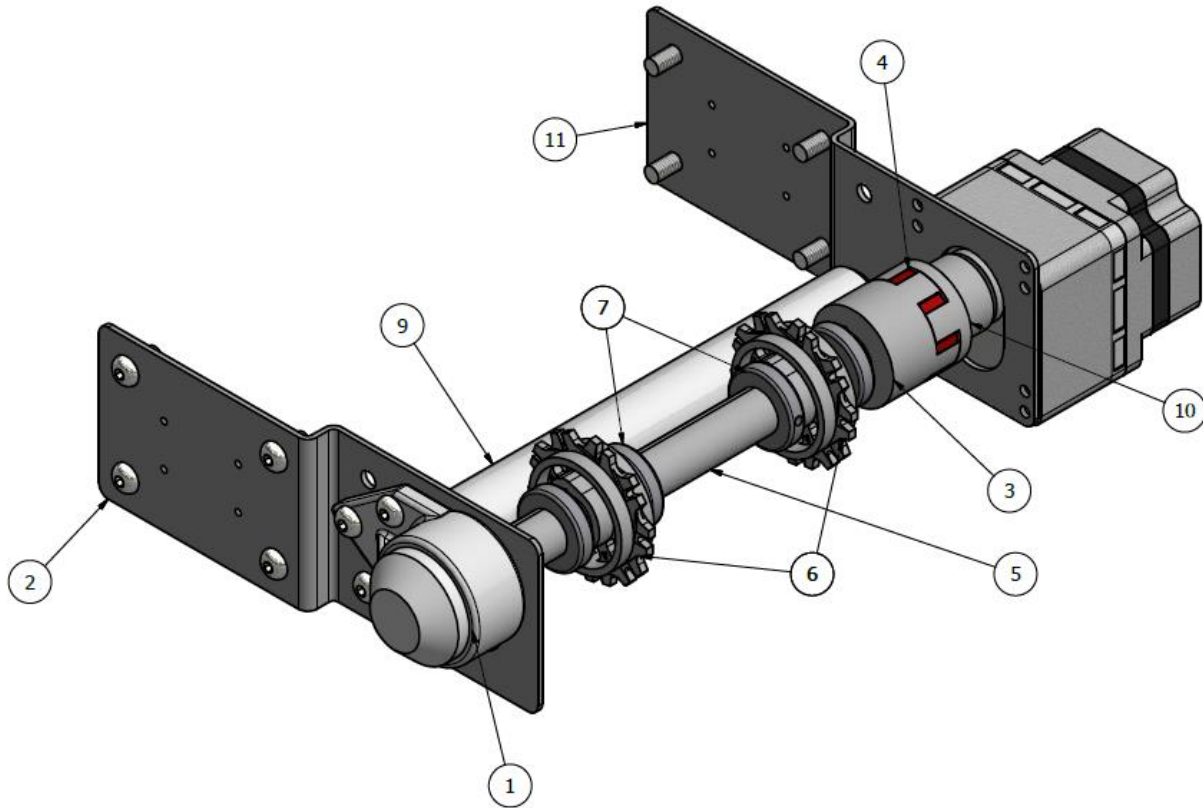


# DynaCon Drive Module

## Low Profile



1 – GPA286	3 Bolt Flange Bearing	7 – GPC093	1" Shaft Collar
2 – GPC3008	4" Profile Bearing Plate	8 – PLD712	Plastic Key for Shaft <i>(not visible)</i>
3 – GPA199	Coupler 1" Bore	9 – GPA2312	Return Roller*
4 – GPA283	Spider for Coupler	10 – GPA198	Coupler – ¾" Bore**
5 – GPC161	1" Keyed Shaft	11 – GPC30__	4" Profile Drive Plate**
6 – GPA294	S900 Sprocket		

**For motor information, contact customer support**

\*(also contains GPC280 & GPC281 bearing/bushing inserts, not visible)

\*\* (Varies depending on motor, contact customer support)